



DATA SHEET 

Model: OM-800T

Metalmicroscope



| | |
|----------------|--------------------------|
| Eyepiece: | EWF10x/22mm |
| Objective: | Infinite Plan Achromatic |
| Head: | Trinocular |
| Optical system | UIS |
| Illumination | HALOGEN |

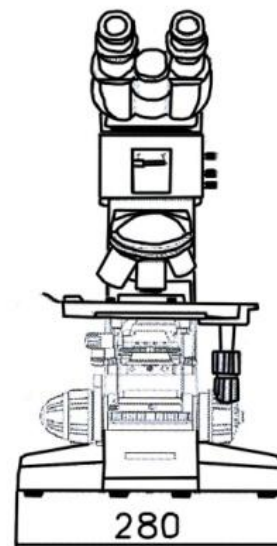
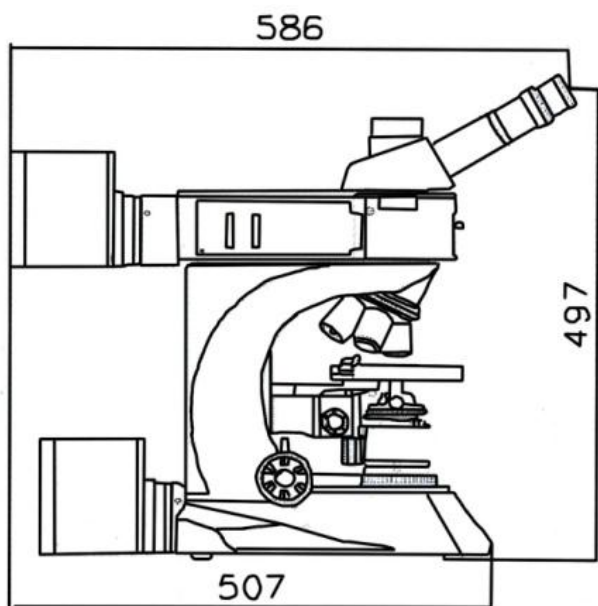
- Viewing head Siedentopf trinocular head, inclined at 30°, interpupillary 48-75mm.
- Plan achromatic Objective (UIS)
 - PLL **5x**/0.12 ∞/- BF WD 15.5mm
 - PLL **10x**/0.25 ∞/- BF-DF WD 10.0mm
 - PLL **20x**/0.40 ∞/- BF-DF WD 4.30mm
 - PL **40x**/0.65 ∞/0.17 WD 0.35mm
 - PLL **50x**/0.75 ∞/- BF WD 0.32mm
 - PLL **100x**/0.9 ∞/- BF WD 0.70mm
 - PL **100x**/1.25 ∞/0.17 WD 2mm
- Extral wide field eyepiece EWF10/22m.
- Backward quintuple nosepiece.
- Double layer mechanical stage 186x138mm / 74x50mm
- Focusing Coaxial coarse and fine adjustment, range 30mm, fine division 1µm
- Maximun Sample height 30mm.
- **Incident** 24V 100W Halogen light, lightness adjustable – Kohler illumination and aspherical condenser - with Blue, Green, Yellow and Ground glass.
- **Transmitted light** 24V 100W Halogen light and aspherical condenser – with Blue filter.
- *ABBE swing condenser* A.N. 0.9/0.25

Power supply 100-230 V, 50/60Hz.

User Manual.

Dust cover.

Dimension:



OPTIONAL ACCESSORIES

- **OM-810** Micrometric Eyepiece EWF 10x/22mm
- **OM-811** Micrometric glass slide division 0,01 mm
- **OM-812** Polarized and Analyzer filter
- **OM-813** CCD Adapter 0.5x
- **OM-814** Plan achromatic Objective (BF/DE) 40x/0.6 WD 2.90mm
- **OM-815** Plan achromatic Objective (BF/DE) 50x/0.75 WD 0.32mm
- **OM-816** Plan achromatic Objective (BF/DE) 100x/0.8 WD 2mm

CE



ESSE3 srl, Via Garibaldi 30
14022 Castelnuovo D.B. (AT)
Tel +39 011 99 27 706
Fax +39 011 99 27 506
e-mail esse3@chierinet.it
web: www.esse3-medical.com

